

Smoke Control Kit

For use with Stockton & Kensal Freestanding Stoves



Instructions for fitting Smoke Control Kit

For use in GB & IE (Great Britain & Republic of Ireland).



IMPORTANT

THE OUTER CASING, FRONT AND GLASS PANEL BECOME EXTREMELY HOT DURING OPERATION AND WILL RESULT IN SERIOUS INJURY AND BURNS IF TOUCHED. IT IS THEREFORE RECOMMENDED THAT A FIREGUARD COMPLYING WITH BS 8423:2002 IS USED IN THE PRESENCE OF YOUNG CHILDREN, THE ELDERLY OR INFIRM.

**Do not attempt to burn rubbish in this appliance.
Please read these Instructions carefully before installation or use.
Keep them in a safe place for future reference and when servicing the fire.**

**THESE INSTRUCTIONS MUST BE READ IN CONJUNCTION WITH THE
INSTALLATION INSTRUCTIONS SUPPLIED WITH THE APPLIANCE**

Contents

Smoke Control Kit - Free Standing Stove

Stockton Models : 7118/ 7102/ 7101/ 7119/ 7125/ 7127/ 7130/ 7162/ 7100/ 7117/ 7163/ 7120
Kensal Models: RF-KEN20M/ RF-KEN33M/ RF-KEN33W/ RF-KEN33WLC/ RF-KEN33MLC

User Instructions	3
Recommended Fuels	3
Lighting the appliance	3
Running the appliance.....	4
Refuelling the appliance	5
Burning Tips	5
Installation Instructions	6
Parts List	6
Installation	6

User Instructions

1. General Points

- 1.1 These instructions apply to the Stockton 3/ 4/ 5/ 6/ 7 & Kensal 20/ 33 models when fitted with a Smoke Control kit.

NOTE: These appliances have been independently tested to PD6434 and have been exempt from the controls that generally apply in smoke control areas hence are considered suitable for use in Smoke Control Area when burning wood and ONLY when fitted with the relevant Smoke Control kit detailed below.

STOCKTON		
Product Code	Appliance	Smoke control kit Part No.
7100	Stockton 6 Wood Flat Top	5SCKITMK1
7101	Stockton 4 Wood	3SCKITMK1
7102	Stockton 4 M/F Flat Top	3SCKITMK1
7117	Stockton 6 Highline	5SCKITMK1
7118	Stockton 3 M/F Flat Top	3SCKITMK1
7119	Stockton 5 Wood Flat Top	5SCKITMK1
7120	Stockton 7 Wood Flat Top	5SCKITMK1
7125	Stockton 7 Inset Convectector	5SCKITMK1
7127	Stockton 5 Ext Riddling	5MFSCKITMK1
7130	Stockton 5 Midline	5MFSCKITMK1
7162	Stockton 6 Ext Riddling	5SCKITMK1
7163	Stockton 7 Ext Riddling	5SCKITMK1

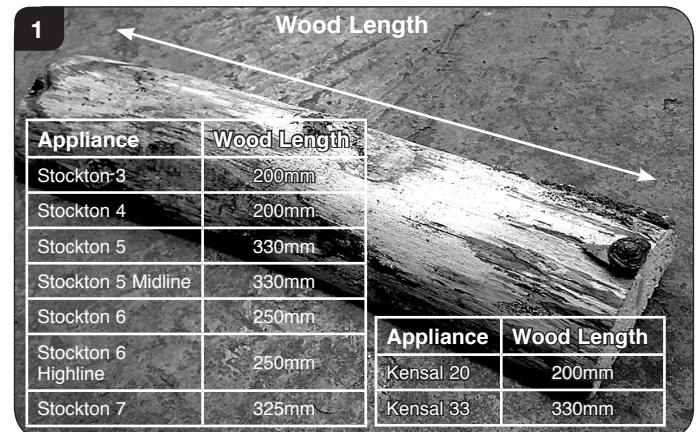
KENSAL		
Product Code	Appliance	Smoke control kit Part No.
RF-KEN20M	Kensal 20 Flat	3SCKITMK1
RF-KEN33M	Kensal 33 M/F Flat	5MFSCKITMK1
RF-KEN33W	Kensal 33 Wood Flat	5SCKITMK1

- 1.2 To meet the Smoke Control requirement this appliance must be operated correctly in order to minimise the amount of smoke produced.
- 1.3 Burn only dry wood.
- 1.4 These instructions must be left with the user and kept with the original instructions they have superseded.

2. Recommended Fuels

2.1 Wood Logs:

Burn only seasoned timber with a moisture content of less than 20%. To ensure this allow cut wood to dry for 12 to 18 months.



Maximum diameter for all models: 100mm

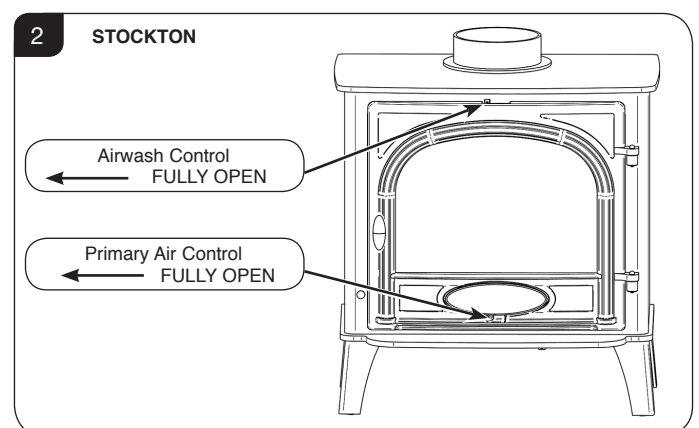
Poor quality timber:

- Causes low combustion efficiency
- Produces harmful condensation
- Reduces effectiveness of the airwash and life of the appliance

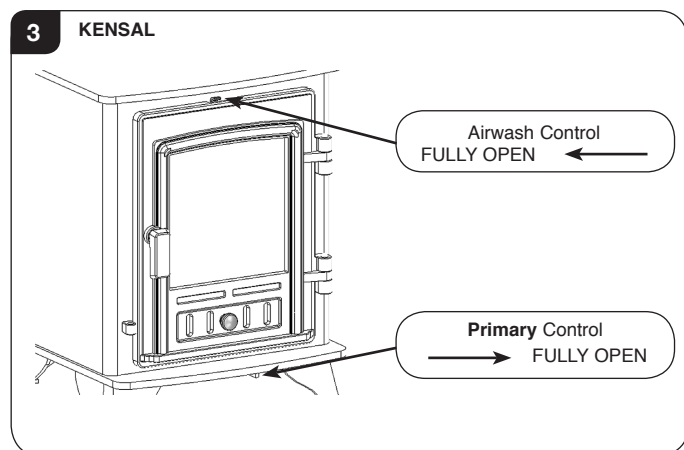
Do not burn construction timber, painted, impregnated / treated wood, manufactured board products or pallet wood.

3. Lighting the Appliance

- 3.1 For best results set air controls as shown in Diagrams 2 & 3.



User Instructions



3.2 Place firelighters or paper and dry kindling wood on the base bricks.

A successful fire initially requires plenty of kindling to establish a hot firebox and warm the chimney to aid flue performance.

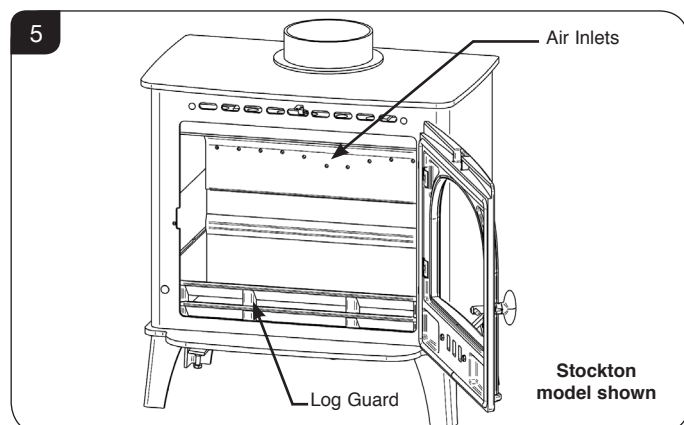
3.3 Light the paper or firelighters, see Diagram 4.



3.4 Leave the door slightly open as the fire establishes and the glass warms to avoid build up of condensation.

3.5 Add larger pieces of wood. Do not use full sized logs at this stage, build up gradually in size. Too many logs may smother the fire.

Do not load fuel above the log guard and the secondary combustion inlets at the back of the firebox. see Diagram 5.



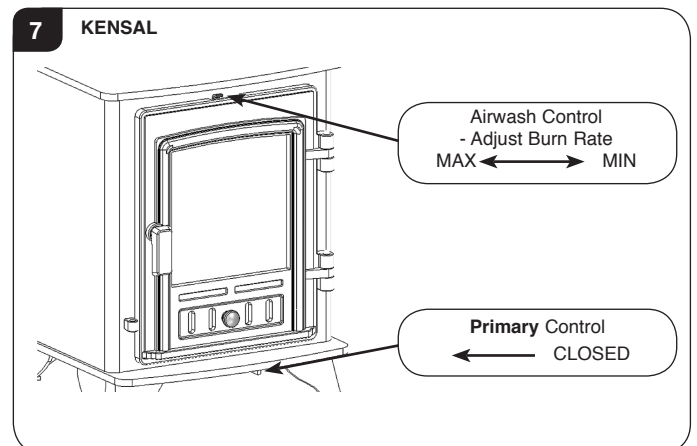
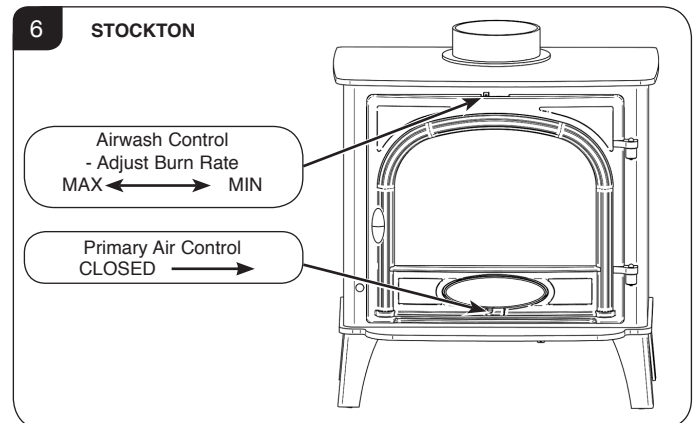
3.6 Close the door and follow the instructions for Running the appliance.

Refuel as detailed in Section 5.

4. Running the Appliance

4.1 **Burning Wood:**

Close the **Primary Air control** and use the **Airwash** to control the temperature, see Diagrams 6 & 7.



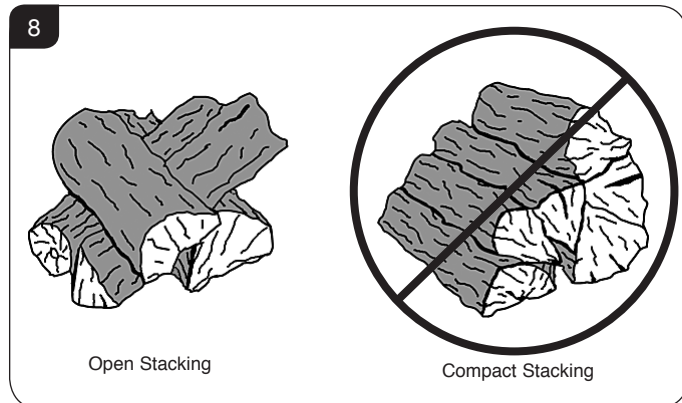
User Instructions

5. Refuelling the Appliance

- 5.1 Open the Primary and Airwash air controls fully.

Rake the embers evenly over the firebed to establish a glowing firebed. If the firebed is low add a small amount of kindling wood to help re-establish the fire.

Stack the logs in an open arrangement, see Diagram 8.



Open stacking allows oxygen to easily reach every part of the fire.

Compact stacking will make the wood burn slower as fire can only reach the outside of the wood. This will cause the fire to smoulder and produce smoke.

- 5.2 After refuelling:
Burn the new logs at a high temperature for a few minutes before closing the Primary Air control. Adjust the burn rate using the Airwash control.
- Do not close the air controls until the fire is burning well.**
- 5.3 Experience establishes settings to suit personal preferences.
- 5.4 **Do not** burn large amounts of fuel with the **Airwash control** closed for long periods of time. This reduces the glass cleaning effect, causes tars and creosotes to build-up in the appliance and flue system and will produce excessive amounts of smoke.
- 5.5 When in use, running the appliance at a high temperature for a short period also reduces tars and creosote.
- 5.6 When running the appliance **refuel little and often for clean, efficient burning.**
- 5.7 Wood burns best on a bed of ash (approx 1" deep).
- A bright and clean firebox indicates the appliance is burning well.**
- 5.8 **Do not load fuel above the log guard and the secondary combustion inlets at the back of the firebox.** see Diagram 5.

Fuel Overloading

The maximum amount of fuel specified in this manual should not be exceeded, overloading can cause excess smoke.

- 5.9 **Do not burn continuously with the door open.**

6. Burning Tips

- 6.1 **Fuel Quality (Wood)**
Use wood with a moisture content of less than 20%. Seasoned logs have the bark beginning to lift and peel away and cracks radiating from the centre. They feel lighter than fresh cut wood of a similar size and sound hollow when struck against each other. Logs should not feel damp or have moss and fungal growths.
Symptoms related to wet wood:
- Difficulty starting and keeping a fire burning well.
 - Smoke and small flames.
 - Dirty glass and/or firebricks.
 - Rapid creosote build-up in the chimney.
 - Low heat output.
 - Short burn times, excessive fuel consumption and blue/grey smoke from the chimney.

Run at a high temperature for a short period each day to avoid large build-ups of tars and creosote within the appliance and the flue system. Use Stovax Protector chimney cleaner to reduce this problem.

Installation Instructions

These instructions cover the fitting of the Smoke Control Kit

1. Parts List

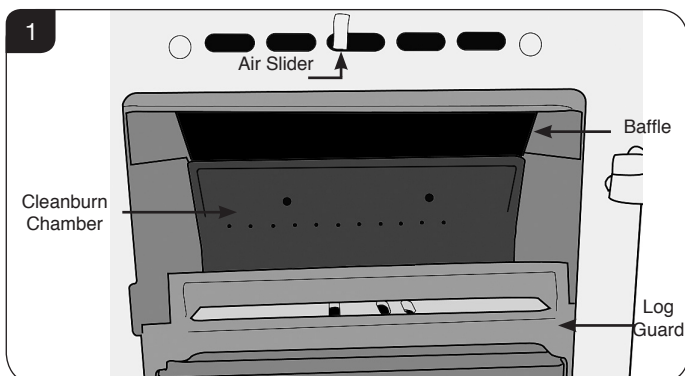
STOCKTON		
Product Code	Appliance	Smoke control kit Part No.
7100	Stockton 6 Wood Flat Top	5SCKITMK1
7101	Stockton 4 Wood	3SCKITMK1
7102	Stockton 4 M/F Flat Top	3SCKITMK1
7117	Stockton 6 Highline	5SCKITMK1
7118	Stockton 3 M/F Flat Top	3SCKITMK1
7119	Stockton 5 Wood Flat Top	5SCKITMK1
7120	Stockton 7 Wood Flat Top	5SCKITMK1
7125	Stockton 7 Inset Convector	5SCKITMK1
7127	Stockton 5 Ext Riddling	5MF5SCKITMK1
7130	Stockton 5 Midline	5MF5SCKITMK1
7162	Stockton 6 Ext Riddling	5SCKITMK1
7163	Stockton 7 Ext Riddling	5SCKITMK1

KENSAL		
Product Code	Appliance	Smoke control kit Part No.
RF-KEN20M	Kensal 20 Flat	3SCKITMK1
RF-KEN33M	Kensal 33 M/F Flat	5MF5SCKITMK1
RF-KEN33W	Kensal 33 Wood Flat	5SCKITMK1

3SCKITMK1: 1 x Air Control Slider	5SCKITMK1: 1 x Air Control Slider	5MF5SCKITMK1: 1 x Air Control Slider 2 x M8x30 CSK Head Screws 2 x M8 Lock Nuts 1 x 10mm x 2mm self adhesive seal rope 920mm long 1 x CA7560 casting
---	---	--

2. Installation

- 2.1 To install the Smoke Control kit remove internal packaging, Log Guard and baffle, see Diagram 1.



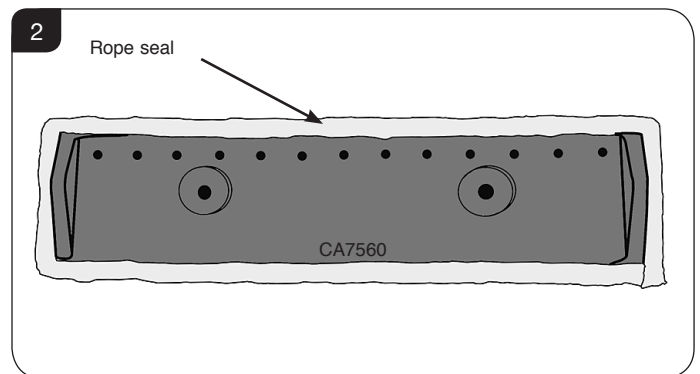
Cleanburn Chamber - Stockton 5 M/F & Kensal 33 M/F only

The first Stage is to modify the Cleanburn Chamber.

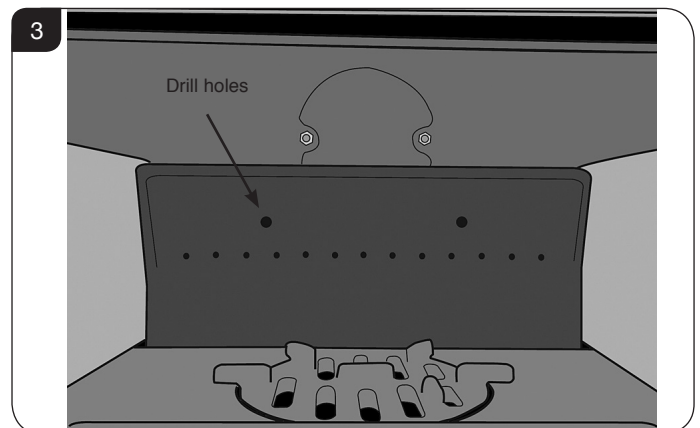
The Cleanburn Chamber can be modified whilst in place on these models.

To modify the chamber:

- 2.2 Fix the seal to the CA7560 part as shown, see Diagram 2.
- 2.3 Line the CA7560 part, Diagram 7, up with the back of the baffle, see Diagram 2.



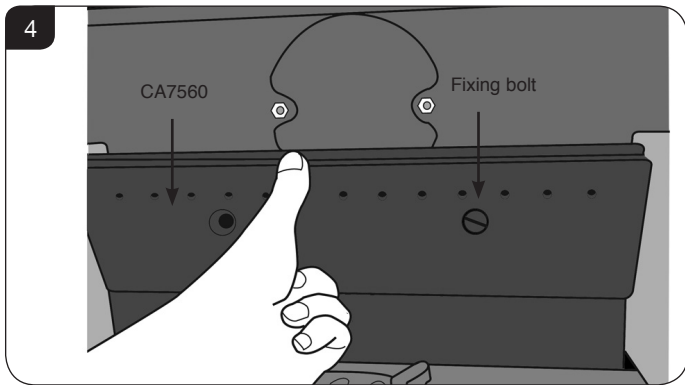
- 2.4 Hold the part in position and ensuring that the seal touches all around the edge and mark the position of the fixings.
- 2.5 Use the holes in the CA7560 as a template to mark the position of the fixings, see Diagram 3.



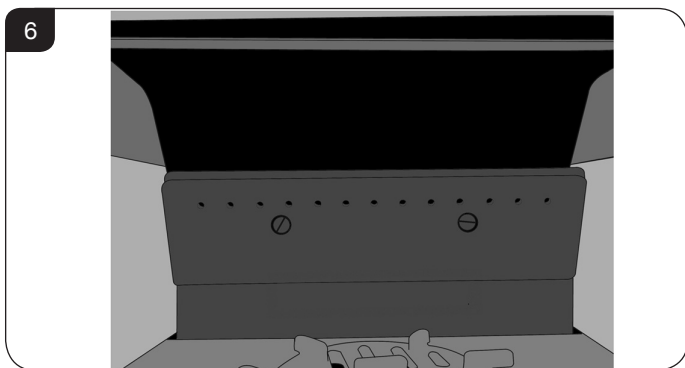
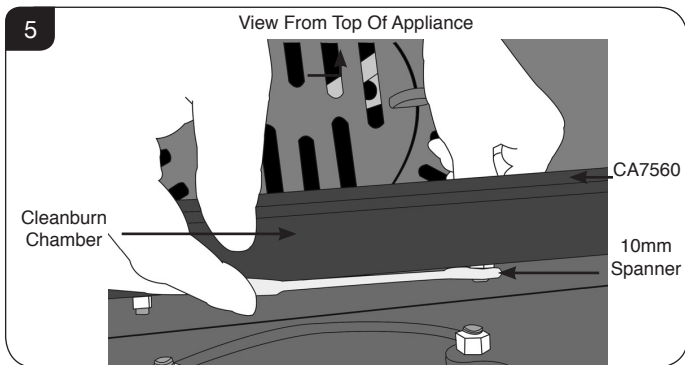
- 2.6 Drill the 9mm holes using a sharp drill.
- 2.7 Hold the CA7560 in place and secure with the fixing bolts, see Diagram 4.

Ensure the modification fits tightly to the chamber creating an effective seal around it's edges.

Installation Instructions



2.8 Tighten the fixings, see Diagram 5.

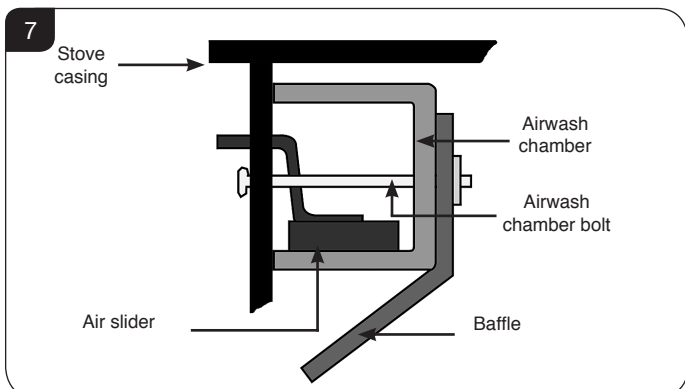


Stage one is complete.

All Models

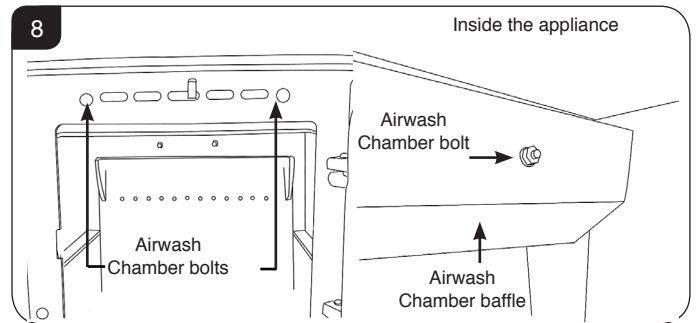
Stage Two

2.9 The interior of the appliance is made of several components that effect the fitting of the Smoke Control kit, see Diagram 7.

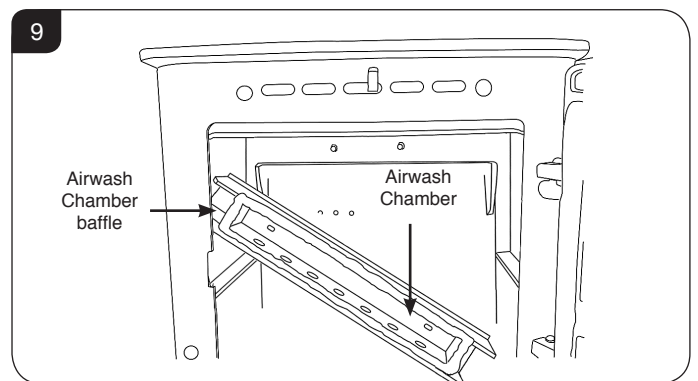


2.10 Remove the two bolts on the Airwash chamber.

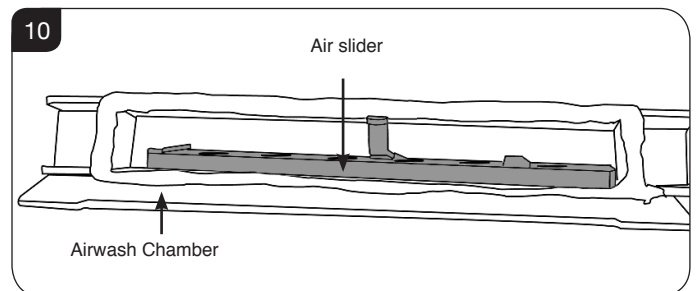
These are located on the inside of the appliance, see Diagram 8.



2.11 Rotate and pull the Airwash chamber through the front of the appliance to remove, see Diagram 9.



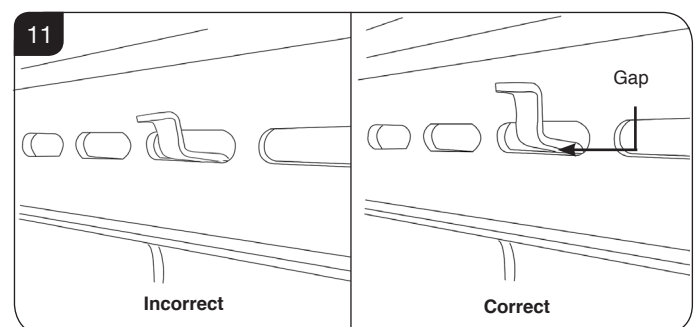
2.12 Replace the Air slider with the Smoke Control version, see Diagram 10.



Ensure the holes in the new Air slider are facing downwards

2.13 Fitting is the reverse of the above.

2.14 Ensure the Air slider screws are tightened to a tension that ensures movement when the Airwash is operated. The Air slider must be positioned correctly and not rest on the inlet, see Diagram 11.



Stage two is complete.

The Clean Air Act 1993 and Smoke Control Areas

Under the Clean Air Act local authorities may declare the whole or part of the district of the authority to be a smoke control area. It is an offence to emit smoke from a chimney of a building, from a furnace or from any fixed boiler if located in a designated smoke control area. It is also an offence to acquire an “unauthorised fuel” for use within a smoke control area unless it is used in an “exempt” appliance (“exempted” from the controls which generally apply in the smoke control area).

The Secretary of State for Environment, Food and Rural Affairs has powers under the Act to authorise smokeless fuels or exempt appliances for use in smoke control areas in England. In Scotland and Wales this power rests with Ministers in the devolved administrations for those countries. Separate legislation, the Clean Air (Northern Ireland) Order 1981, applies in Northern Ireland. Therefore it is a requirement that fuels burnt or obtained for use in smoke control areas have been “authorised” in Regulations and that appliances used to burn solid fuel in those areas (other than “authorised” fuels) have been exempted by an Order made and signed by the Secretary of State or Minister in the devolved administrations.

Further information on the requirements of the Clean Air Act can be found here: <http://smokecontrol.defra.gov.uk/>

Your local authority is responsible for implementing the Clean Air Act 1993 including designation and supervision of smoke control areas and you can contact them for details of Clean Air Act requirements”

STOVAX

Stovax Ltd, Falcon Road, Sowton Industrial Estate, Exeter, Devon, England EX2 7LF
Tel: (01392) 474011 Fax: (01392) 219932 E-mail: info@stovax.com www.stovax.com

E & O E